



fan data

19.11.2024

version FANselect V 1.01 (241118), AMCA V 1.03 September, 2021
RLT V 1.00 Dezember, 2021 / 1.24.11.18 | 30813 | (user ZAFS20813)



type	FN063-6EK.4I.V7P1
article no.	141725 Portfolio STD-WW

technical data

motor		AC
mains supply	-	1~ 230V 50Hz
nominal current (I_N)	A	3.10
capacitor (C_{400V})	μF	12.0
ambient temperature, max. limit (t_r)	$^{\circ}C$	70
efficiency grade η_{statA}	%	28,5
efficiency grade N_{actual} N_{target}		36,1 36
grille influence		pressure side measured

fan data

fan speed (n) max. (n_{max})	1/min	- 938
frequency (f_{DP}) (f_{max})	Hz	50 50
dimensions (w x h x d)	mm	779 x 779 x 237
product weight (m_{pr})	kg	15.4

PF:PF_50; Type:FN063-6EK; STol:+-10 %

FANselect



performance curve / acoustics

19.11.2024

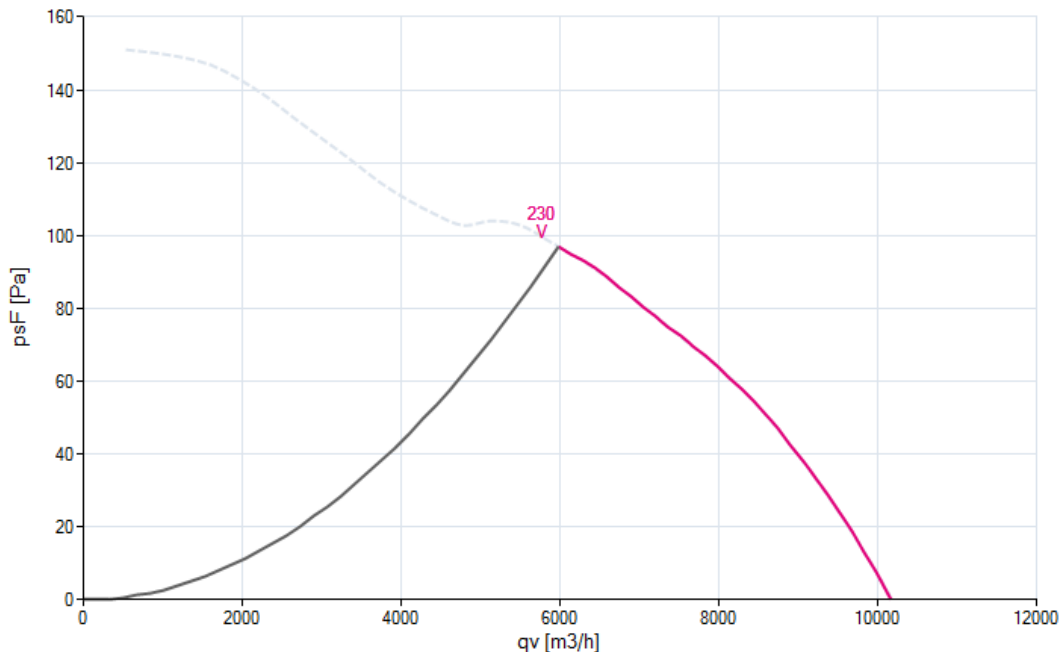
Version FANselect V 1.01 (241118), AMCA V 1.03 September, 2021
RLT V 1.00 Dezember, 2021 / 1.24.11.18 | 30813 | (user ZAFS20813)

1 FN063-6EK.4I.V7P1

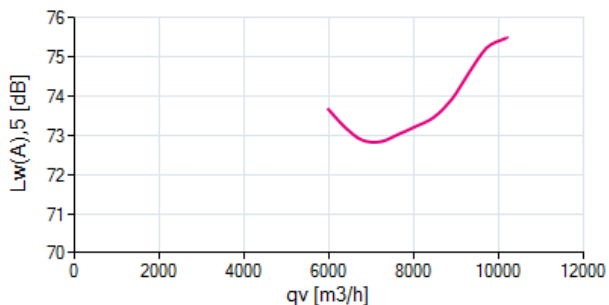
Measured in short nozzle with pressure side guard grille in air flow direction V in installation type A according to ISO5801

141725 | Portfolio STD-WW measurement density 1.18 [kg/m³]

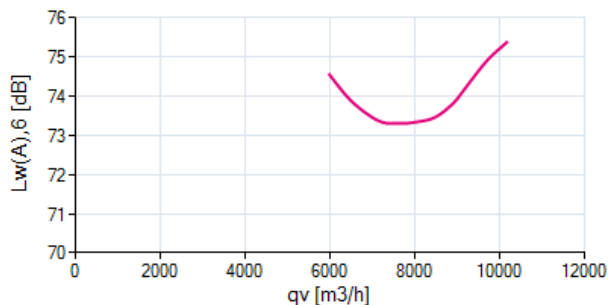
air performance p_{sF}



acoustics ($L_{w(A),5}$)



acoustics ($L_{w(A),6}$)



1 FN063-6EK.4I.V7P1

f [Hz]	sum	63	125	250	500	1000	2000	4000	8000
$L_{w(A),5}$	-	-	-	-	-	-	-	-	-
$L_{w,5}$	-	-	-	-	-	-	-	-	-

f [Hz]	sum	63	125	250	500	1000	2000	4000	8000
$L_{w(A),6}$	-	-	-	-	-	-	-	-	-
$L_{w,6}$	-	-	-	-	-	-	-	-	-

FANselect



efficiency grade / power input

19.11.2024

Version FANselect V 1.01 (241118), AMCA V 1.03 September, 2021
RLT V 1.00 Dezember, 2021 / 1.24.11.18 | 30813 | (user ZAFS20813)

1

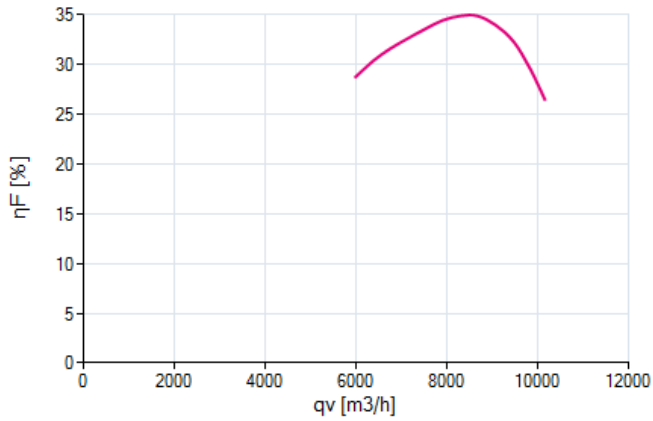
FN063-6EK.4I.V7P1

Measured in short nozzle with pressure side guard grille in air flow direction V in installation type A according to ISO5801

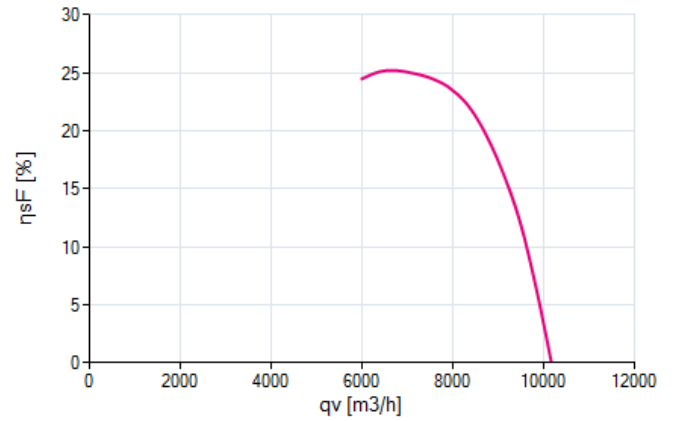
141725 | Portfolio STD-WW

measurement density 1.18 [kg/m³]

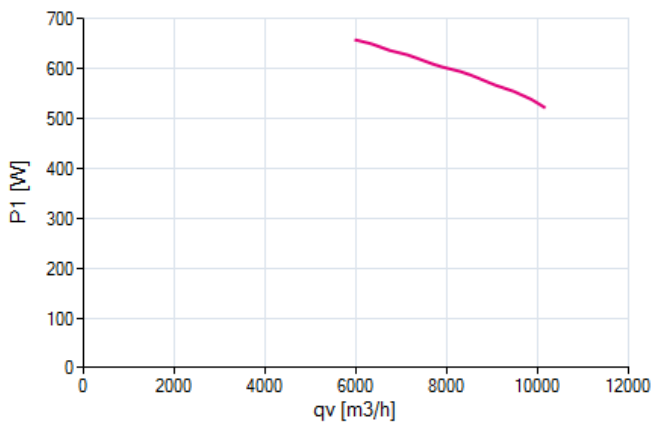
efficiency grade η_F



efficiency grade η_{sF}



power input P_1





nominal values

19.11.2024

version FANselect V 1.01 (241118), AMCA V 1.03 September, 2021
RLT V 1.00 Dezember, 2021 / 1.24.11.18 | 30813 | (user ZAFS20813)

1



FN063-6EK.4I.V7P1

141725

1~ 230V 50Hz P1 0.68kW
3.10A DI=5% 870/MIN 12.0µF/400V 70°C
IP54 THCL155

drawing

19.11.2024

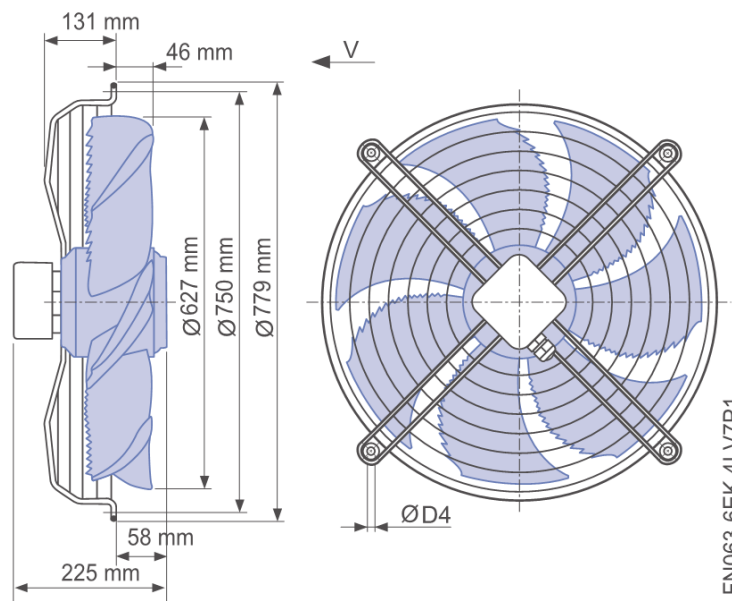
version FANselect V 1.01 (241118), AMCA V 1.03 September, 2021
RLT V 1.00 Dezember, 2021 / 1.24.11.18 | 30813 | (user ZAFS20813)

1



FN063-6EK.4I.V7P1

141725



FN063-6EK.4I.V7P1

wiring diagram

19.11.2024

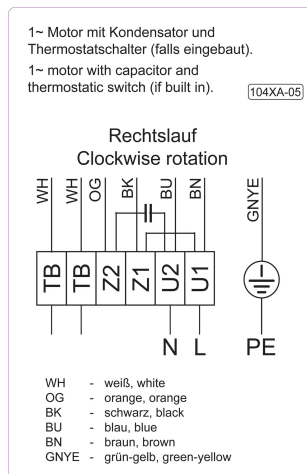
version FANselect V 1.01 (241118), AMCA V 1.03 September, 2021
RLT V 1.00 Dezember, 2021 / 1.24.11.18 | 30813 | (user ZAFS20813)

1



FN063-6EK.4I.V7P1

141725





system components

19.11.2024

Version FANselect V 1.01 (241118), AMCA V 1.03 September, 2021
RLT V 1.00 Dezember, 2021 / 1.24.11.18 | 30813 | (user ZAFS20813)



type	FN063-6EK.4I.V7P1
article no.	141725

mechanical component	capacitor housing
	type: GC10
	article no.: 00264071
	capacitor housing
	type: GC12
	article no.: 00264072
	capacitor housing
	type: GC1,5
	article no.: 00266159